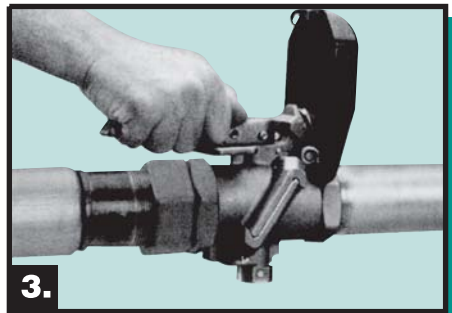
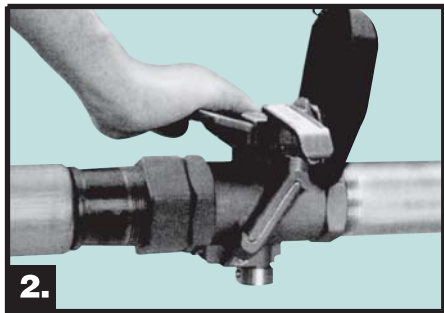
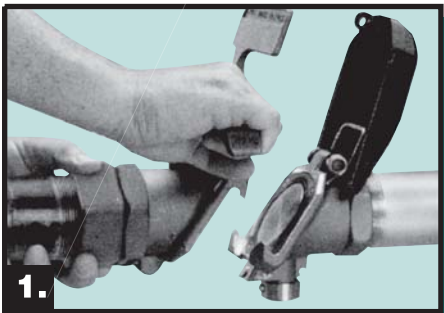
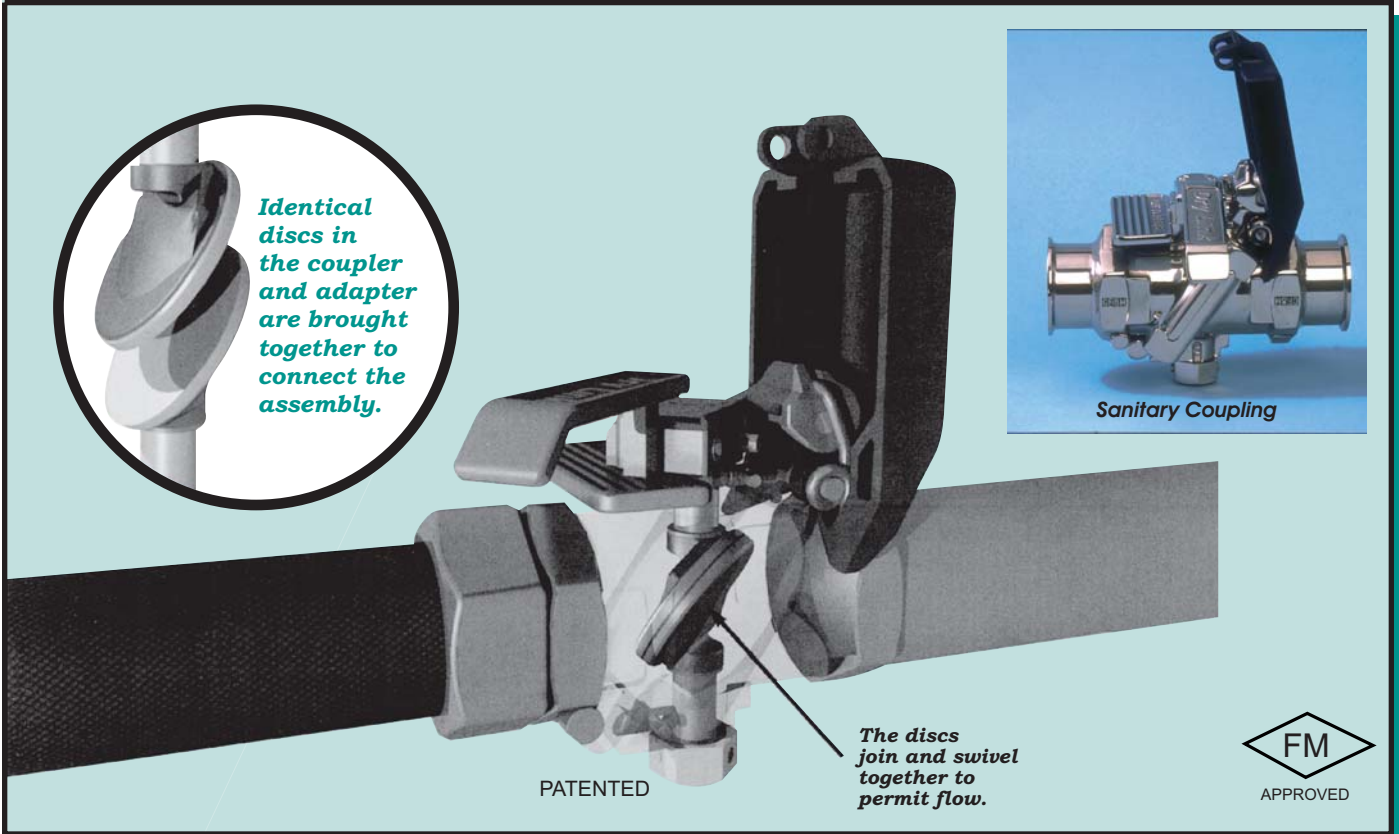


**I**nnovative concepts  
for fluid transfer.



**SAFER,  
FASTER,  
CLEANER.**



## Drip-free design.

- Minimizes exposure to fluids in the line
- Eliminates costly clean-ups
- Offers greater protection for workers and the environment

## Avoids spills.

- Identical disc halves securely shut off flow in the line
- Mechanical interlock prevents accidental openings
- Discs are closed and sealed before coupler and adapter can be separated

## Better flow.

- Fewer internal components create a better flow rate
- Smooth bore, simple configuration of Dry Link assembly results in lowest pressure drop available
- Ideal for higher viscosity fluids

## Easier operation.

- Up to 50% lighter than comparable dry disconnect units
- Coupler has built-in swivel which eases alignment. Optional swivel on Adapter
- Parts are accessible for easy maintenance



# Dry Disconnect Hose Coupling Assembly

## Pressure Data

Maximum Working Pressure:

- 1" (DN 25) size – 210 PSI (14.3 bar)
- 1½" (DN 40) size – 210 PSI (14.3 bar)
- 2" (DN 50) size – 150 PSI (10.3 bar)
- 3" & 4" (DN 80 & DN 100) size – 120 PSI (8.3 bar)

**WARNING: FOR ONE TIME FIELD TEST ONLY**, the Maximum Joint Working Pressure may be increased to 1½ times the figures shown.

Vacuum:

Tested to 28" (711 mm Hg) vacuum in all positions without leakage.

## Miscellaneous Test Data

Bending Moments (*coupled assembly*):

Maximum 200 ft.-lbs. (271 n•m) at the swivel

## Temperature

The Dry Link® adapter/coupler assembly has an operating temperature range of -20° to +230°F (-29° to +110°C), using Fluoroelastomer or EPDM seals and +20°F to +230° F (-7° to +110°C) using PTFE seals.

## Materials

Wetted Metal Parts\*:

All 316 stainless steel (standard), or Hastelloy C (optional)\*\*, or Alloy 20 - ASTM 351, Grade CN7M (optional)

Seals:

Fluoroelastomer/Viton - Typically used for oxydizing acids, petroleum oils, halogenated hydrocarbons, lubricants, hydraulic fluids or organic liquids.

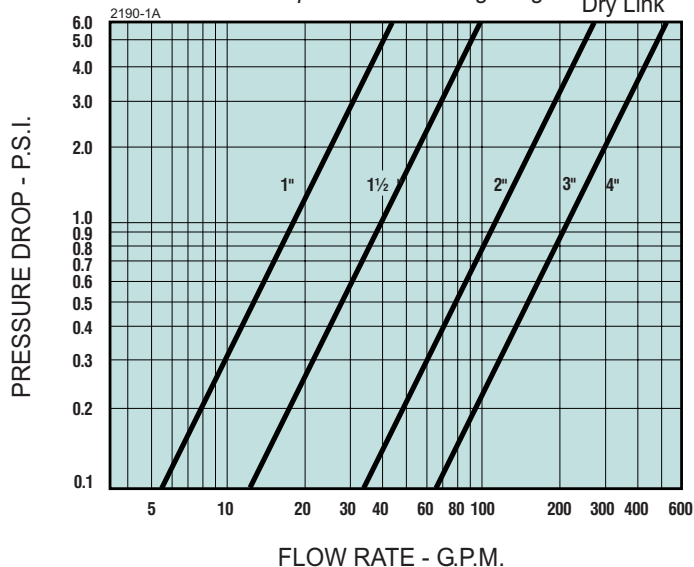
EPDM - Typically used with dilute acids, ketones or alcohol.

PTFE - Typically used with most chemicals and solvents.

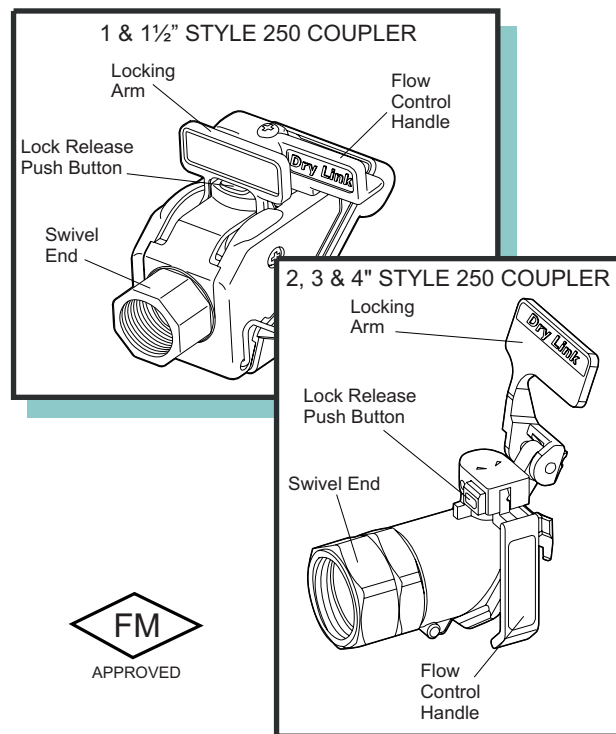
FFKM - Perfluoroelastomer (Chemraz/Kalrez)

**For special applications and optional materials, contact Dry Link at phone (636) 349-2999.**

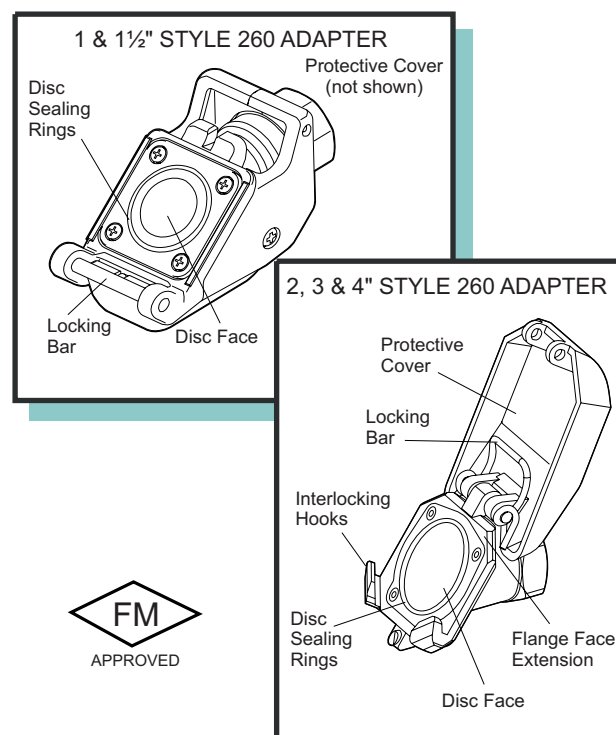
\*Disc is electroless nickel plated to reduce galling



## Style 250 Coupler



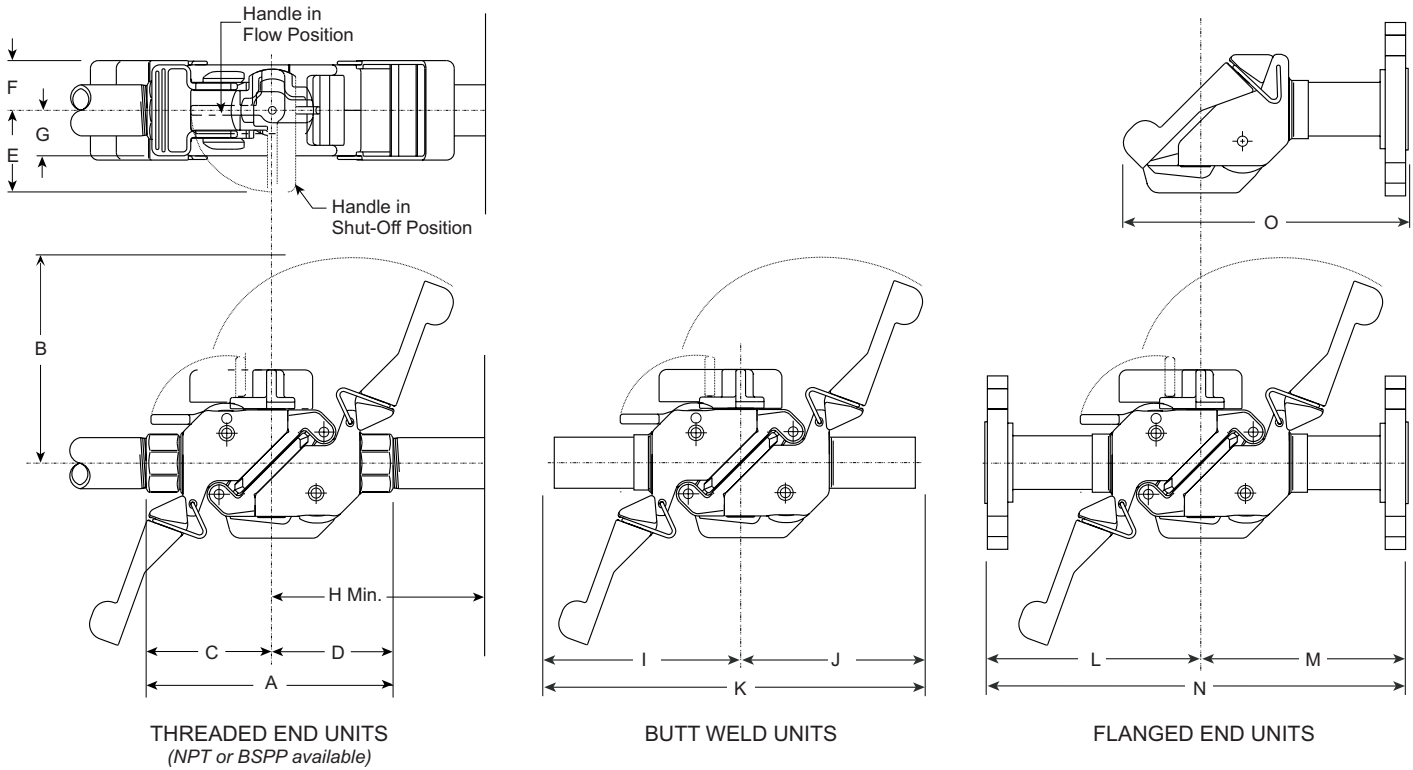
## Style 260 Adapter





# Dry Disconnect Hose Coupling Assembly

1 & 1½ inch sizes (applicable to SS 316 materials only)



## Dimensions

2190-2A

Nom. Size Inches mm	Dimension - Inches/mm														
	All Units								Butt Weld Units			Flanged Units			
	A	B	C	D	E	F	G	H	I	J	K	L	M	N	O
1 25	6.26 159	5.31 135	3.16 80	3.10 79	2.10 53	1.17 30	1.17 30	3.10 79	6.25 169	5.85 149	12.10 307	5.55 141	5.13 130	10.68 271	6.80 173
1½ 40	7.40 188	6.76 171	3.75 95	3.65 93	2.50 64	1.42 36	1.42 36	3.65 93	8.03 204	7.63 194	15.66 398	7.03 179	6.63 168	13.66 347	8.75 222

## Weights

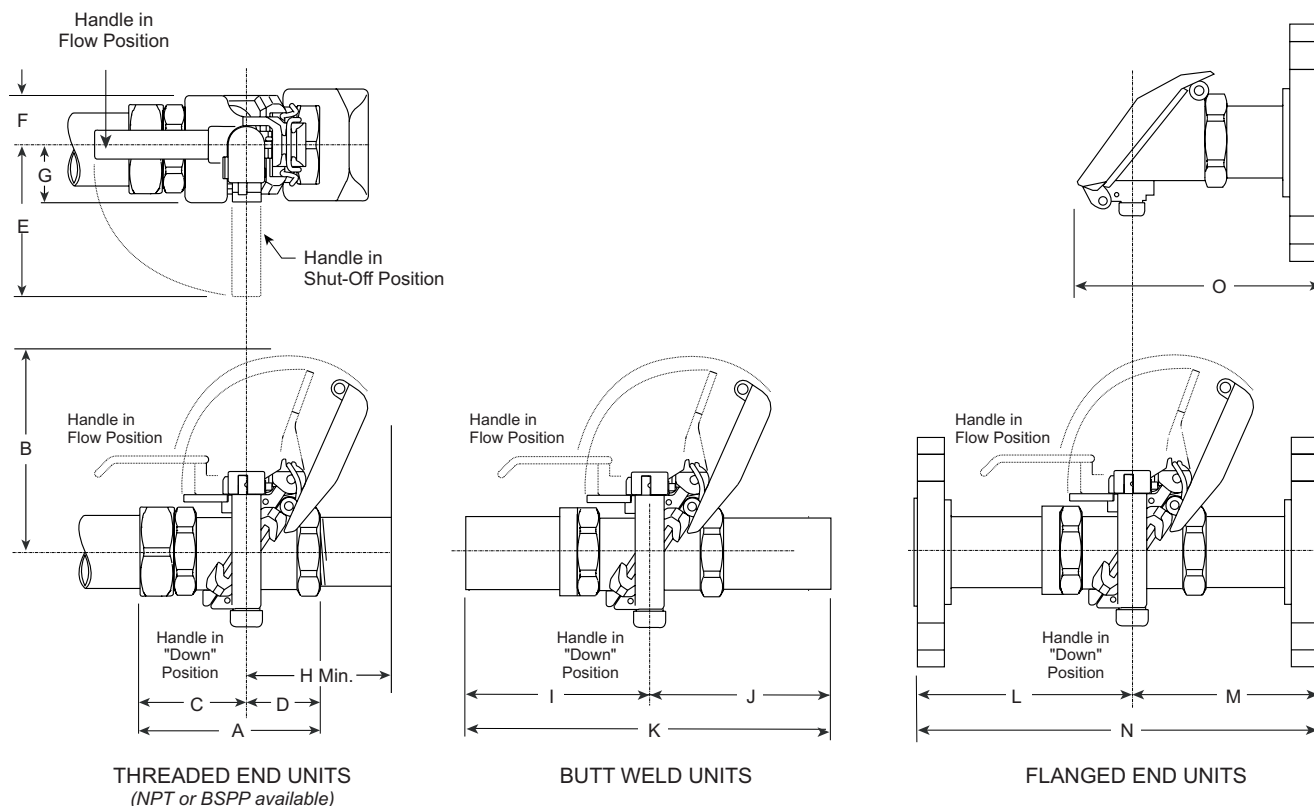
2190-3A

Nom. Size Inches mm	Approximate Weight Each - Lbs./kg					
	Threaded End Units		Flanged End Units		Butt Weld Units	
	Coupler	Adapter	Coupler	Adapter	Coupler	Adapter
1 25	2.0 0.9	1.8 0.8	5.3 2.4	5.0 2.3	3.1 1.4	2.8 1.3
1½ 40	3.4 1.5	3.1 1.4	7.4 3.4	7.0 3.4	5.0 2.3	4.6 2.1

- \* Dry Link couplings with sanitary Tri-clover end fittings with polished 25 RA inside finish are also available on request.
- \* Couplers are supplied with a built-in swivel. Optional swivel is available on Adapters. To minimize leak joints, sanitary Couplers & Adapters are not supplied with a swivel. Please contact Dry Link, Inc., if a swivel is required.

# Dry Disconnect Hose Coupling Assembly

2, 3 & 4 inch sizes (applicable to SS 316 and Alloy 20 materials only)



## Dimensions

2190-4A

Nom. Size Inches mm	Dimension - Inches/mm														
	All Units								Butt Weld Units			Flanged Units			
	A	B	C	D	E	F	G	H	I	J	K	L	M	N	O
2 50	6.26 159	6.50 165	3.73 95	2.53 64	5.25 133	1.70 43	2.00 51	5.00 127	8.90 278	8.56 217	17.46 495	8.00 255	6.56 167	14.59 421	8.40 203
3 80	8.54 217	9.88 251	5.04 130	3.50 89	7.38 187	2.35 60	2.65 67	7.00 178	13.27 337	12.56 319	25.83 656	11.06 281	7.56 192	18.62 473	10.25 241
4 100	12.54 319	9.88 251	7.04 179	5.50 140	7.38 187	2.35 60	2.65 67	7.00 178	13.27 337	12.56 319	25.83 656	11.06 281	7.56 192	18.62 473	10.25 241

## Weights

2190-5A

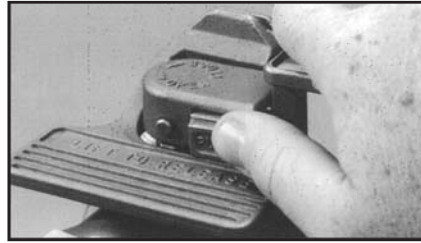
Nom. Size Inches mm	Approximate Weight Each - Lbs./kg					
	Threaded End Units		Flanged End Units		Butt Weld Units	
	Coupler	Adapter	Coupler	Adapter	Coupler	Adapter
2 50	5.0 2.3	3.0 1.4	11.5 5.2	9.0 4.1	7.0 3.2	5.0 2.3
3 80	14.0 6.4	9.0 4.1	21.5 9.8	15.8 7.2	16.5 7.5	11.5 5.2
4 100	16.2 7.4	11.2 5.1	27.0 12.3	21.3 9.7	18.3 8.3	13.3 6.1

- \* Dry Link couplings with sanitary Tri-clover end fittings with polished 25 RA inside finish are also available on request.
- \* Couplers are supplied with a built-in swivel. Optional swivel is available on Adapters. To minimize leak joints, sanitary Couplers & Adapters are not supplied with a swivel. Please contact Dry Link, Inc., if a swivel is required.

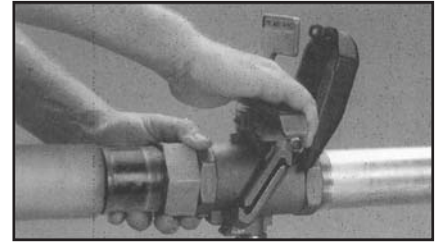
## Connection Instructions



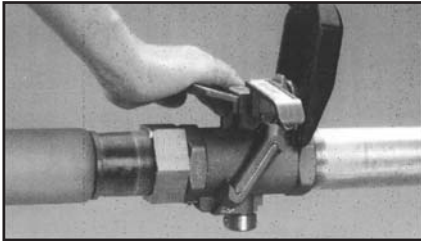
1. To connect and allow flow : Lift the protective cover on the adapter unit to expose the disc face and locking bar. Look for possible nicks or cuts on the seal face, and carefully wipe off any grit or residue.



2. Press the lock release push button on the coupler unit to allow the locking arm to spring up to the "ready" position.



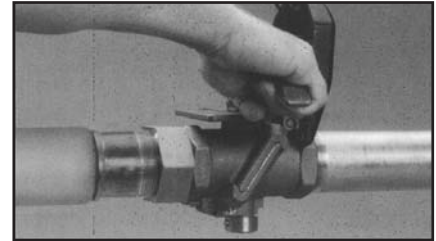
3. Bring the disc faces together and slide downward. Match the disc face on the coupler up to the disc face on the adapter. Slide downward along the disc interface so that the interlocking hooks on the coupler fit over the face flange extensions on the adapter, and vice versa. The cam slot at the end of the locking arm will automatically fit over the locking bar.



4. Press the locking arm down past the push button stop until it clicks. This will secure the connection.

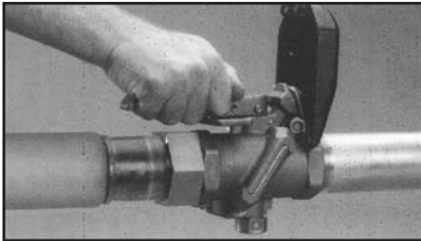
**NOTE :** During any of the preceding steps, the flow control handle may be positioned in either the down (or storage) position, or the upright (or operating) position. To open the connector to flow, the handle must be clicked into the upright position.

You can watch a video demonstration on Connection Instructions on our website [www.drylink.com](http://www.drylink.com) under the applications link.

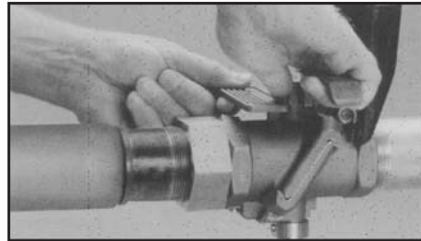


5. Turn the flow control handle clockwise to allow flow. The position of the handle indicates the disc position. When the handle moves 90° and is in line with the flow, the discs are fully open.

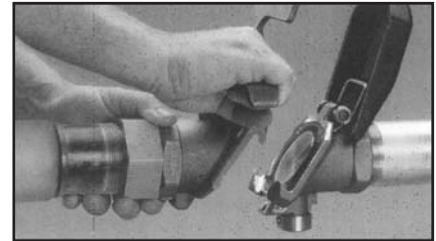
## Disconnection Instructions



1. To disconnect : Turn the flow control handle counter-clockwise 90° to the fully closed position.



2. Press in the lock release push button and, at the same time, lift the locking arm to release the locking bar.



3. Remove the coupler from the adapter.

### ⚠ CAUTION

Do not drop Dry Link products onto hard surfaces. Chipping and deformations of couplers/adapters may occur. Repeated mishandling of the product could result in personal injuries, property damage or product failure.

### ⚠ WARNING

Proper seal and wetted metal parts material selection is critical for safe operation. To assure maximum life for the service intended, use only those materials compatible with the fluids being handled. Please note material being supplied and make certain that it is suited for the intended service.

Failure to do so could result in serious personal injury, property damage, or leakage.

### ⚠ WARNING

The Dry Link coupling assembly does not eliminate possible exposure to hazardous substances. Likewise, some product residue may appear on the disc faces. The conditions of handling and use are beyond our control, and we make no guarantee, and assume no liability for damages or injuries related to the use of this coupling assembly. It is the responsibility of the user to comply with all applicable federal, state, and local laws and regulations.

Always employ proper safety precautions and handling techniques. Failure to do so could result in serious personal injury, property damage, or leakage.

### ⚠ WARNING

FOR USE WITH HOSE ONLY. NOT FOR RIGID PIPING.



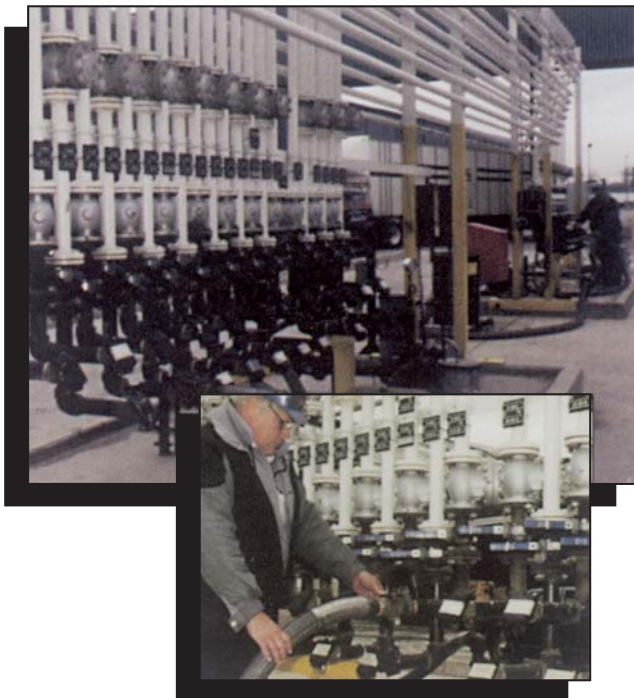
## Intermodal Bulk Containment



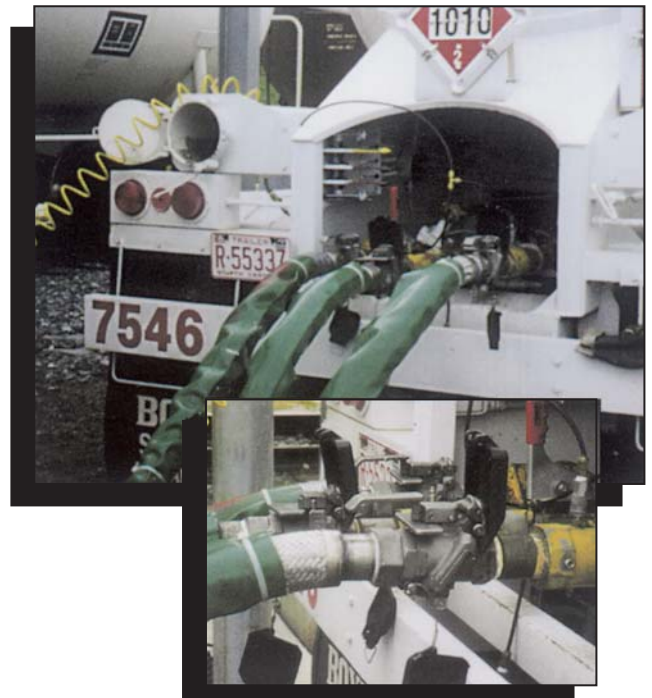
## Rail Cars



## Loading and Switching Racks



## Bulk Transport





### Our State-of-the Art Guarantee:

At Dry Link, we understand that success is a result of mastering customer service, perfecting skills and setting the standard for excellence.

State-of-the-art service, experience, quality, and reliability: This is our promise. We will listen to your needs and identify the optimum solution. From design to manufacture to stocking for rapid delivery. You will find answers to most of your application questions on our website [www.drylink.com](http://www.drylink.com). We welcome your inquiries.

## Ordering Specifications

Please order the correct part by specifying the coupling Type, Size, Body Material, Main Seal Material, End Connection and any special requirements.

Type	Size	Body Material	Main Seal Material	End Connection	Optional Requirements
Coupler (Style 250)	<ul style="list-style-type: none"> <li>■ 1" (DIN 25)</li> <li>■ 1.5" (DIN 40)</li> <li>■ 2" (DIN 50)</li> <li>■ 3" (DIN 75)</li> <li>■ 4" (DIN 100)</li> </ul>	<ul style="list-style-type: none"> <li>■ SS 316</li> <li>■ Alloy 20</li> <li>■ Hastelloy C</li> </ul>	<ul style="list-style-type: none"> <li>■ TFE</li> <li>■ Viton</li> <li>■ EPDM</li> <li>■ FFKM</li> </ul>	<ul style="list-style-type: none"> <li>■ NPT (female)</li> <li>■ BSPP (female)</li> <li>■ Butt-weld</li> <li>■ Flanged (ANSI Class 150)</li> <li>■ Triclover</li> </ul>	<ul style="list-style-type: none"> <li>■ Sanitary with 20 RA polished internals</li> <li>■ FDA approved seals</li> <li>■ Keyed Couplings</li> <li>■ As specified by the customer</li> </ul>
Adapter (Style 260)	<ul style="list-style-type: none"> <li>■ 1" (DIN 25)</li> <li>■ 1.5" (DIN 40)</li> <li>■ 2" (DIN 50)</li> <li>■ 3" (DIN 75)</li> <li>■ 4" (DIN 100)</li> </ul>	<ul style="list-style-type: none"> <li>■ SS 316</li> <li>■ Alloy 20</li> <li>■ Hastelloy C</li> </ul>	<ul style="list-style-type: none"> <li>■ TFE</li> <li>■ Viton</li> <li>■ EPDM</li> <li>■ FFKM</li> </ul>	<ul style="list-style-type: none"> <li>■ NPT (female)</li> <li>■ BSPP (female)</li> <li>■ Butt-weld</li> <li>■ Flanged (ANSI Class 150)</li> <li>■ Triclover</li> </ul>	<ul style="list-style-type: none"> <li>■ Sanitary with 20 RA polished internals</li> <li>■ FDA approved seals</li> <li>■ Keyed Couplings</li> <li>■ As specified by the customer</li> <li>■ Adapter with optional built-in swivel</li> </ul>
Repair Parts	Please refer to Maintenance Manuals for ordering parts.				

## WARRANTY

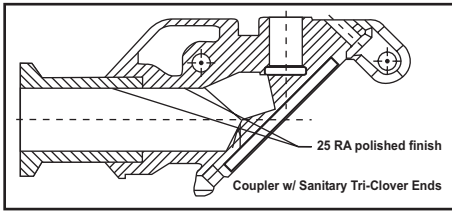
We warrant all products to be free from defects in materials and workmanship under normal conditions of use and service. Our obligation under this warranty is limited to repairing or replacing at our option at our factory any product which shall within one year after delivery to original buyer be returned with transportation charges prepaid, and which our examination shall show to our satisfaction to have been defective. Customer assumes full responsibility for the selection of materials for his application.

This warranty shall not apply to any product which has been subject to misuse, negligence or accident, which has been repaired or altered in any manner outside of Dry Link's factory or which has been used in a manner contrary to Dry Link instructions or recommendations. Dry Link shall not be responsible for design errors due to inaccurate or incomplete information supplied by Buyer or its representatives. For complete details on warranty information, please request our Terms and Conditions of Sale.





## Specialty Dry Disconnect Couplings

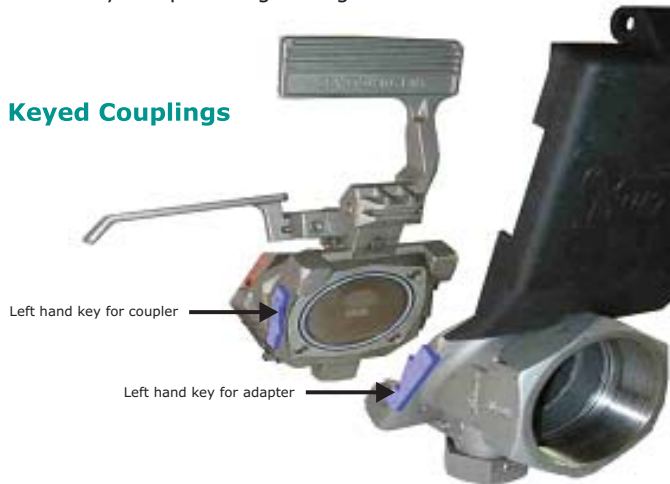


### Sanitary Couplings for the Pharmaceutical & Food Industries

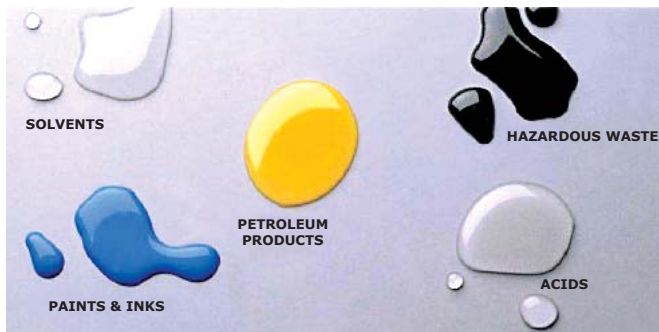
All stainless steel 316 construction  
Tri-Clover ends (also available in BW, Flanged & NPT/BSPP ends)  
Smooth bore - no voids, crevices, or fillers - Polished 25 RA internal finish  
Choice of main seal (TFE, Viton, EPDM, or Chemraz/Kalrez)  
Optional Seal Material certifications (FDA 21, CFR 177 or USP 24, Class VI)  
Tamper resistant, lockable Dust Covers  
Extremely compact & light weight



### Keyed Couplings



Keyed couplings for use in batch process plants & manifolds for preventing accidental cross-contamination of chemicals



### Chemicals cost pennies a gallon until they drip and cost thousands in fines.

You can avoid big fines—just use Dry Link couplings. These dry disconnect couplings use a unique drip-free design to trap chemicals before they leak on the floor. You will protect both workers and environment while avoiding costly clean-ups. Plus, our couplings are lightweight for easy handling and use fewer internal components for maximum flow.

### Dry Link Applications

- Chemical plants
- Sanitary industry
- Pharmaceutical plants
- Cosmetics
- Adhesive manufacturing
- Paint & varnish manufacturing
- Ink manufacturing
- Printing plants
- Soap & detergent manufacturing
- Rubber & plastics manufacturing
- Pulp & paper
- Automotive
- Railroad
- Wastewater treatment plants
- Chemical waste hauling & incineration
- Nuclear industry
- Chemical distributors
- Liquid transfer terminals
- Petrochemical industry
- Circuit board manufacture
- The list goes on ...

### Adapters w/built-in Swivel

Dry Link Couplers are supplied with a standard built-in swivel which eases alignment. Now, our Adapters are also available with an *optional* built-in swivel.

### Hastelloy C Couplings

For extremely corrosive services, our couplings with Hastelloy C materials are also available. Please request our special brochure.